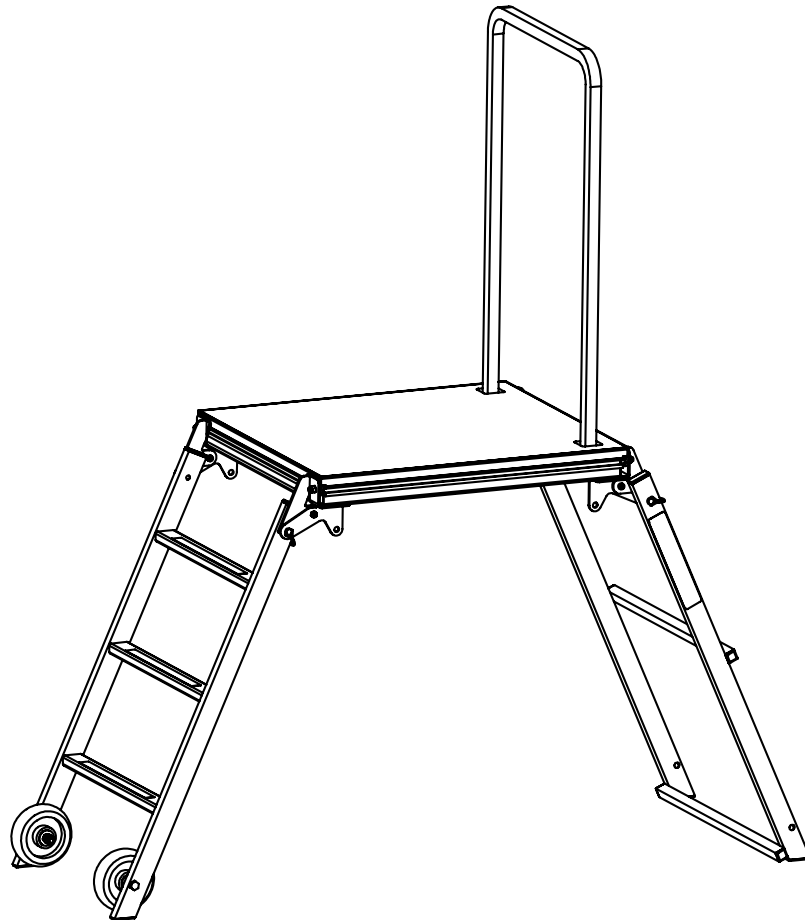




# Assembly Instructions and Owner's Manual OnBoard® Auxiliary Podium



## Contents

|                                  |   |   |   |
|----------------------------------|---|---|---|
| Important User Information ..... | 2 | Operation .....                                     | 5 |
| Safety Precautions .....         | 3 | Moving the Podium .....                             | 5 |
| Maintenance .....                | 3 | Set Up the Podium in the Performance Position ..... | 5 |
| Parts List .....                 | 4 | Return the Podium to the Stored Position .....      | 7 |
|                                  |   | Replacement Parts .....                             | 8 |



Visit the OnBoard Auxiliary Podium web page at [wengercorp.com](http://wengercorp.com) for more information.

**Note:** Please read and understand these instructions before proceeding.  
**Note:** If you need additional information, contact Wenger Corporation using the information below.

# ***Important User Information***

---

## ***General***

Copyright © 2024 by Wenger Corporation

All rights reserved. No part of the contents of this manual may be reproduced, copied, or transmitted in any form or by any means including graphic, electronic, or mechanical methods or photocopying, recording, or information storage and retrieval systems without the written permission of the publisher, unless it is for the purchaser's personal use.

Printed and bound in the United States of America.

The information in this manual is subject to change without notice and does not represent a commitment on the part of Wenger Corporation. Wenger Corporation does not assume any responsibility for any errors that may appear in these instructions.

In no event will Wenger Corporation be liable for technical or editorial omissions made herein, nor for direct, indirect, special, incidental, or consequential damages resulting from the use or defect of these instructions. The manufacturer reserves the right to change this product at any time.

The information in this document is not intended to cover all possible conditions and situations that might occur. The end user must exercise caution and common sense when assembling or installing Wenger Corporation products. If any questions or problems arise, call the Wenger Corporation at (800) 4WENGER (493-6437) or +1-507-455-4100 worldwide.

## ***Manufacturer***

The OnBoard® Auxiliary Podium is manufactured by:

Wenger Corporation  
555 Park Drive  
Owatonna, MN 55060  
(800) 4WENGER (493-6437) • +1 (507) 455-4100  
wengercorp.com

## ***Intended Use***

- This product is intended for limited outdoor use – it must not be exposed to prolonged outside weather conditions.
- This product is intended to be assembled, installed and used only as described in these instructions.

## ***Warranty***

Warranty information is available at [wengercorp.com](http://wengercorp.com).

## Safety Precautions

---

Throughout this document you may find cautions and warnings which are defined as follows:

- **WARNING:** Failure to follow the instruction could result in serious injury or damage to property.
- **CAUTION:** Failure to follow the instruction could result in minor injury or damage to property.

Read and understand all of these safety instructions before any assembly, installation or use.

### **⚠ CAUTION**

*Make sure anyone assembling, installing or using this product has read and understands these instructions.*

### **⚠ CAUTION**

*Failure to comply with Warnings and Cautions in this document or on the equipment can result in damage to property or serious injury.*

### **⚠ CAUTION**

*Keep hands clear of all pinch points.*

## General Operation

### **⚠ CAUTION**

- *When using the OnBoard Auxiliary Podium in the performance position, always park the podium on a level surface.*
- *The podium must be used with the boundary rail at all times when in the performance position.*
- *Podium maximum total load capacity is 300 lb (136 kg).*
- *The podium is only intended to hold one person when in the performance position.*
- *All four legs must be in contact with the floor or ground at all times.*
- *Avoid ramps steeper than a 1' (305 mm) rise or drop in a 12' (3658 mm) horizontal distance.*
- *When transporting the podium in a vehicle it must be braced with tie-downs, chains or cargo straps designed specifically for that purpose so podium will not move.*
- *Blankets or other padding material may be required to avoid damage to the podium and accessories from vibration and impact during transport.*

## Maintenance

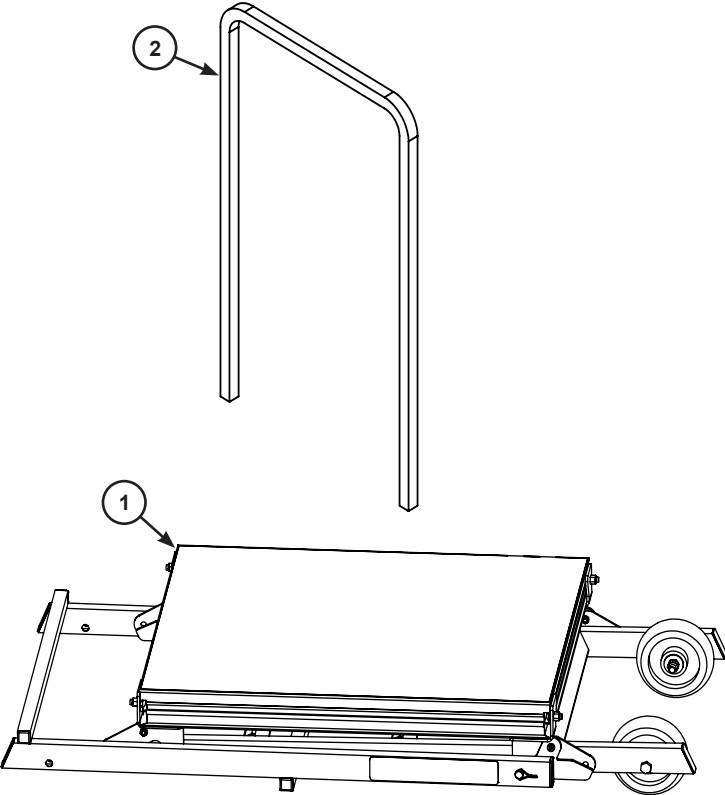
---

- Clean the auxiliary podium with a mild detergent and warm water. Avoid using harsh or abrasive cleaning products.
- Immediately replace any wheels that do not turn freely.
- Periodically check and tighten the fasteners.
- Grease zerks and bushings if required.

# Parts List

---

| Item | Qty | Description      |
|------|-----|------------------|
| 1    | 1   | Auxiliary Podium |
| 2    | 1   | Boundary Rail    |



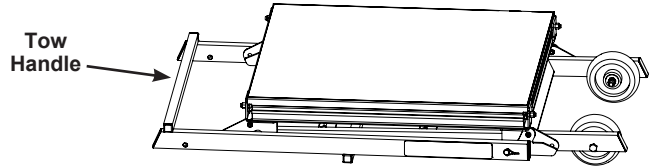
# Operation

Always observe the "Safety Precautions" in these instructions.

**Failure to comply with the "Safety Precautions" in these instructions can result in serious injury.**

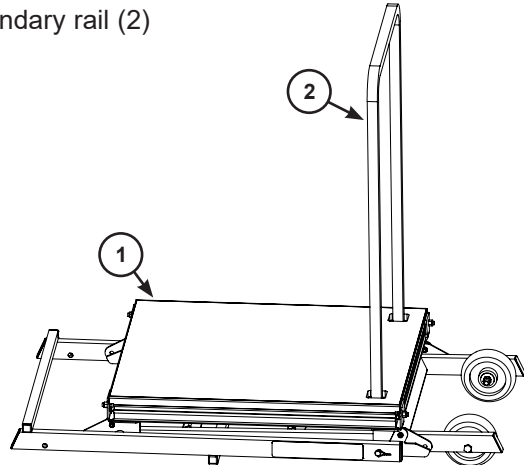
## Moving the Podium

1. If the podium is transported in a vehicle, it must be braced or strapped to the vehicle so that it cannot move. Bracing must use tie-downs or straps specifically designed to prevent the podium from moving in the vehicle.
2. If the podium needs to be stored tipped on its long edge, make sure the storage pins are in place to prevent the podium from unfolding.



## Set Up the Podium in the Performance Position

1. With the podium (1) in the stored position, insert the boundary rail (2) in the cut-out slots on the deck.

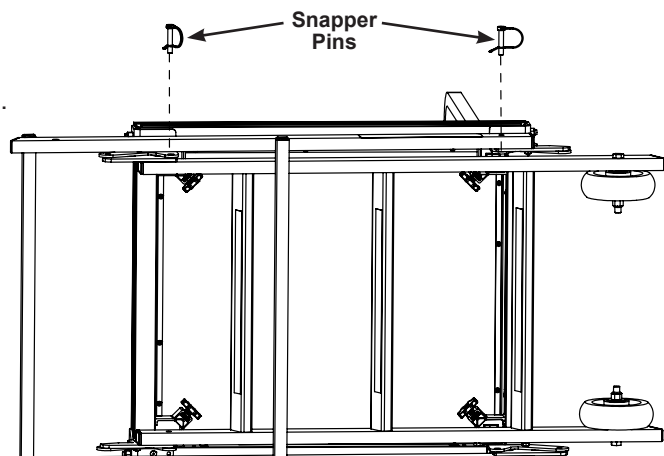


2. Place the podium on its side.

### NOTICE

**The side with the snapper pins in the corner brackets must be facing up.**

3. Remove the snapper pins from the corner brackets.

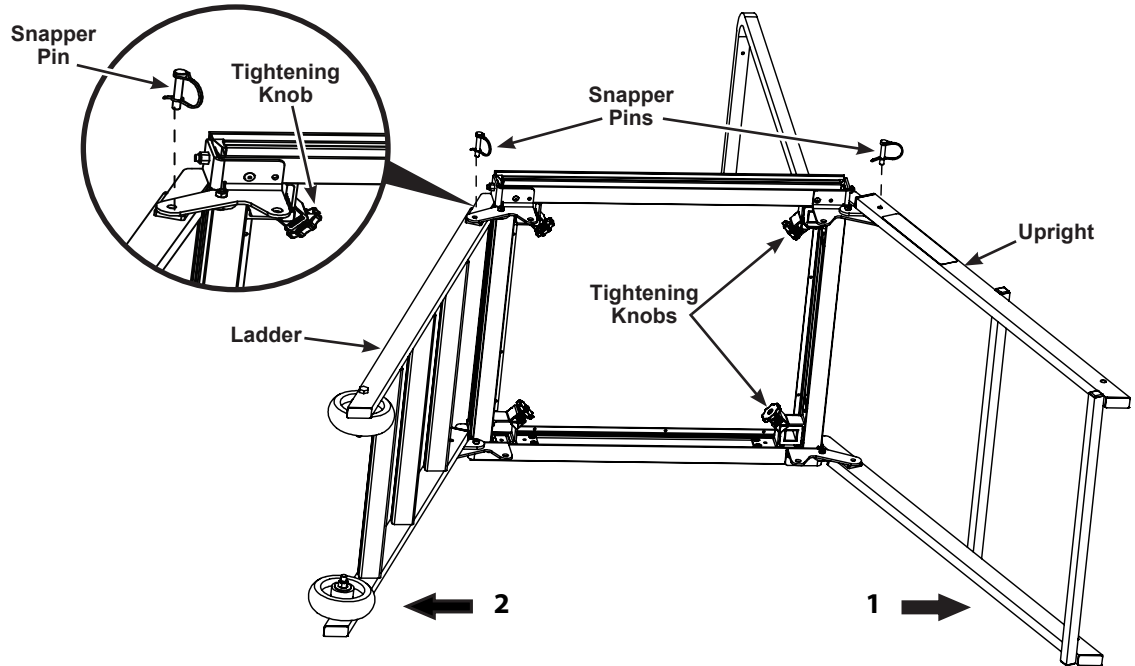


## Operation (continued)

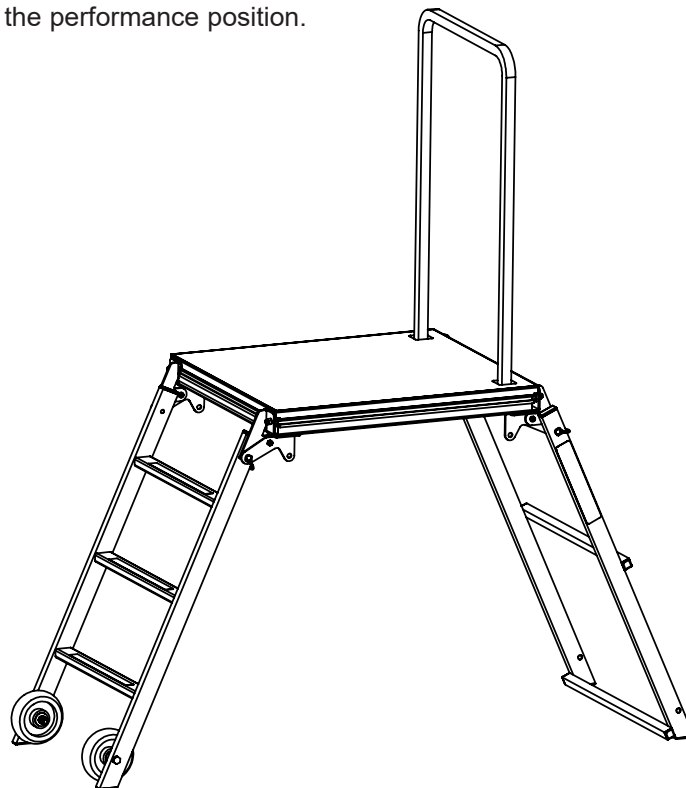
---

### Set Up the Podium in the Performance Position (continued)

4. Unfold the podium upright and ladder frames out aligning the holes in the corner brackets.
5. Secure the podium upright and ladder frames in place using the snapper pins.
6. Tighten the knobs on the underside corners of the deck to secure the boundary rail.



7. Lift the podium up into the performance position.



## Operation (continued)

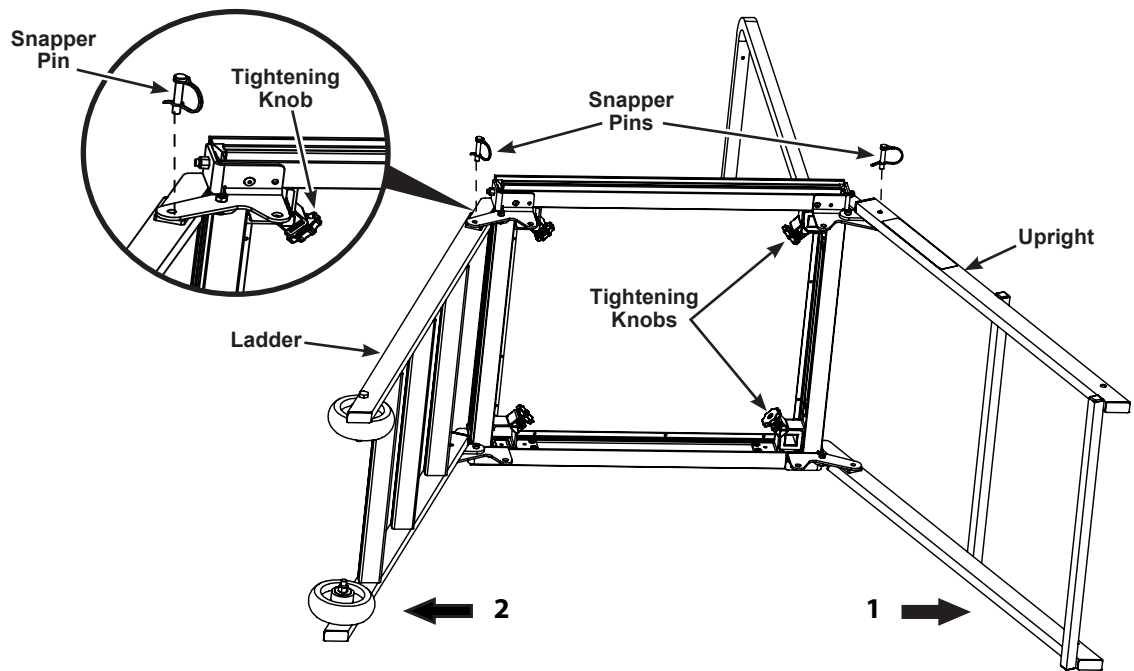
### Return the Podium to the Stored Position

1. Place the auxiliary podium on its side.

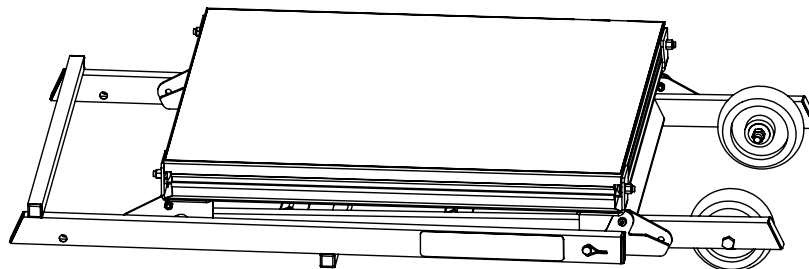
#### NOTICE

*The side with the snapper pins in the corner brackets must be facing up.*

2. Remove snapper pins from the corner brackets.
3. Fold the ladder frame inward against the deck bottom.
4. Align the hole on the ladder frame with the hole in the corner bracket. Insert the snapper pin to secure the ladder frame to the podium deck.
5. Repeat steps 4 and 5 on the upright frame.
6. Loosen the tightening knobs securing the boundary rail and remove rail.



7. Place podium onto its wheels.



# Replacement Parts

| Item | Description                  | Item | Description               |
|------|------------------------------|------|---------------------------|
| 1    | Deck Assembly                | 11   | Snapper Pin               |
| 2    | Boundary Rail                | 12   | Nylon Lanyard             |
| 3    | Upright Frame                | 13   | 3/8-16 x 1" Carriage Bolt |
| 4    | Ladder Frame                 | 14   | 3/8-16 Lock Nut           |
| 5    | Right Hand Corner Bracket    | 15   | 1 x 2 Tube Plug           |
| 6    | 1" Square Tube Plug          | 16   | 1/2-13 x 4-1/2" Capscrew  |
| 7    | Anti-Slip Tape               | 17   | 1/2-13 Lock Nut           |
| 8    | 6" Wheel                     | 18   | Flat Washer               |
| 9    | 5/16-18 Lock Nut             | 19   | Left Hand Corner Bracket  |
| 10   | 5/16-18 x 3/8" Shoulder Bolt |      |                           |

